

Original operating manual: Photoelectric distance sensor type LRN-301-DI4-OP-S022



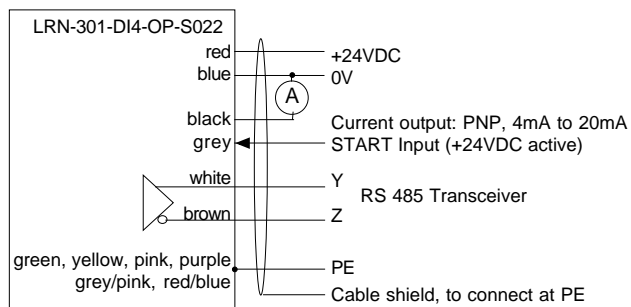
II 3G Ex nA op is IIB T4 Gc

II 3D Ex tc op is IIIA T135°C Dc IP67

- ATEX certificated
- For use in Ex zones 2, 22
- Measurement range 50mm to 1500mm
- High measurement accuracy
- Analog output signal 4mA to 20mA and serial data interface RS-485
- Easy alignment through visible red light laser
- Stainless steel 1.4404 housing
- FDA certificated special cable

Type	LRN-301-DI4-OP-S022
Technical data	
Measuring method	Time-of-flight measuring
Measurement range	50mm to 1500mm
Type of Ex protection Gas, according to 2014/34/EU	II 3G Ex nA op is IIB T4 Gc
Type of Ex protection Dust, according to 2014/34/EU	II 3D Ex tc op is IIIA T135°C Dc IP67
For use in Ex zones	Zones 2, 22
Maximum optical radiant intensity	$\leq 1\text{mW}$, wave length: 620nm to 690nm
Maximum optical radiant power	$\leq 5\text{mW/mm}^2$
Light source	Laser Class 2, in accordance with EN 60825-1
Response time	minimum 0.5s, maximum 2.5s
Power-up delay time	800ms
Supply voltage	24VDC $\pm 10\%$
Maximum permissible voltage U_m	30VDC
Current consumption	60mA
Maximum power dissipation	2.1W
Typical measurement tolerance	up to 10m: $\pm 1\text{mm}$, applies for 100% target reflectivity, in low-light ambient, $T_{amb}: 25^\circ\text{C}$
Maximum measurement tolerance	up to 10m: $\pm 2\text{mm}$, applies for 10% to 500% target reflectivity, in strong light ambient
Distance dependent increase of measurement tolerance	$\leq 0.15\text{mm/m}$
Analog current output, type	PNP, 4mA to 20mA, short circuit protected
Analog current output, range	50mm to 1500mm (50mm = 4mA, 1500mm = 20mA)
Analog current output, error indication	3.5mA: Measurement invalid 20.5mA: Object out of measurement range
Analog current output, resolution	1mm = 0,011mA
Analog current output, load range	$500\Omega \leq R_L \leq 1000\Omega$
Serial interface, type	RS 485, Format: 9600 baud, 8 data bits, 1 stop bit, Parity none, Handshaking none
Serial interface, range	50mm to 30m
Serial interface, resolution	1mm
START input, type	PNP compatible
START input, function	"H" +24VDC: Starts measurement, "L" 0V: Stops measurement
Housing	M42, material: stainless steel 1.4404, safety hardened float glass
Enclosure rating according to EN 60529	IP68
Ambient operating temperature range T_{amb}	-10°C up to $+40^\circ\text{C}$
Storage temperature range	-20°C ... $+70^\circ\text{C}$
Relative humidity	15% ... 80%
Pollution degree, EN 60664-1:2007	4
Categorization, according to EN 60947-5-2	D3A42AP1
Laser lifetime	Maximum 5'000h, during continuous operation. Urgent recommendation: Apply 0V to the START-input, when no measurement is necessary
Connection cable	12 x 0.203mm ² , PTFE, jacked: FEP, shielded, according to USP XIII Class VI, wires colored, cable length: 6m
Accessories	--
Options	- Cable length: Up to 100m, upon request

Electrical connection:	Function:
Wire color:	
Red:	+24VDC
Blue:	0V
Black:	Analog output 4...20mA
Grey:	START Input
White:	Y RS 485
Brown:	Z RS 485
Green:	PE
Yellow:	PE
Pink, purple, grey/pink, red/blue:	PE
White, with designation:	Cable shield


ATEX related markings

Type LRN-301-DI4-OP-S022:

CE 0158

II 3G Ex nA op is IIB T4 Gc

II 3D Ex tc op is IIIA T135°C Dc IP67

ATEX declaration by manufacturer according to directive 2014/34/EU

ATEX declaration by manufacturer according to directive 2014/34/EU

 $T_{amb}: -10^\circ\text{C} < T_{amb} < +40^\circ\text{C}$

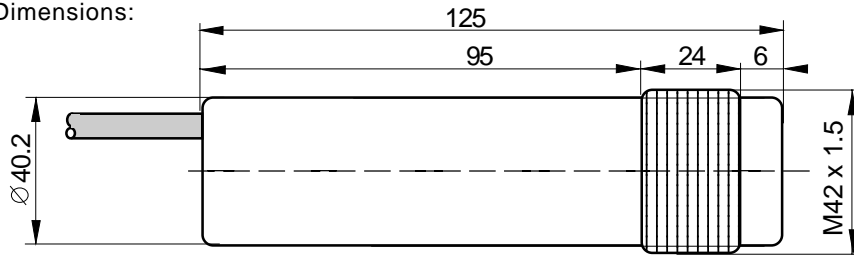

Electrical data, according to the chart

Test report number: BVS PP 10-2233 EG, DEKRA EXAM

Date of production: Numerals 5 to 8 of the serial number (year/calendar week) Manufacturer with Address

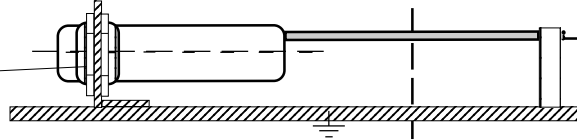
(X designation of the certification number: Fibre optics must only be used with sensors with certificated limited optical power)

Dimensions:



Safe equipotential bonding for Ex devices:

Check the reliable, noncorrosive holding of the protection earth connection.



The end of the cable must be connected outside the hazardous locations.

The cable shield is to connect to PE in a wide area.

Operating Manual, EC - Declaration of Conformity:

Intended Use

The distance sensor type LRN-301-DI4-OP-S022 is designed to measure distances within potentially explosive atmospheres. It must be installed and operated in accordance to this operating manual.

Installation prescriptions for hazardous locations

It is necessary to take into consideration the valid international and national rules and regulations (EN 60079-14). The local potential equalization must be connected with the PA-connector using a reliable and noncorrosive connection. The PE/PA connector is permanently attached to the enclosure. The absolute maximum supply voltage $U_m = 30$ VDC must not be exceeded. No external parts are allowed for focusing or reshaping of the emitted laser beam, except for original parts. The cable must be protected against damaging. The end of the cable must either be installed within a certificated Ex housing or must be installed outside of any Ex area.

Type LRN-301-DI4-OP-S022: Allowed to be installed and operated within Ex zones 2 and 22.

General Installation Prescriptions Do not exceed the maximum ratings. The electrical connections must be exactly as shown in the connection diagram. The cable shield must be connected short. The cable shield must be connected to the protection earth, large-surfaced. Connection cables must not be installed parallel to high voltage cables. The cable shield is to connect at PE.

Function

The sensor uses the time of flight measurement principle. The travel time of an emitted pulse of light is measured, whereby the pulse travels from the sensor to the measured object and back. The relation between distance and travel time is given by the speed of light. This measurement principle requires the measured object to reflect a part of the incident radiation towards the source. The acquired measurement result is available at the analog current output and the RS 485 interface in parallel.

Analog current output

Output current 4mA to 20mA: Valid measurement result
Output current 3.5mA: No valid measurement could be achieved
Output current 20.5mA: No object could be detected within range

Serial interface

The RS 485 serial interface presents the measurement results, in the range from 0.05m to 30m, in a digital format. The interface is configured to 9600 baud, 8 data bits, 1 stop bit, no parity and no handshaking. Each result is presented as human readable ASCII string containing the measured distance in millimeters followed by carriage return and line feed characters (CR+LF).

START input


The measurement process is started by applying +24VDC at the START input. The device will stop to perform mea-

surements if the START input is connected to 0V. For a longer lifetime of the laser, activate the sensor only when measurement is necessary.

Maintenance and durability

Urgent recommendation for longer lifetime of the laser: When no measurement is being made, disable the laser, by switching the START input to 0V. The sensor is maintenance-free. The measurement window must be cleaned carefully if soiled. Never use aggressive cleaning agents. Equipment must only be repaired or serviced by the manufacturer.

Safety regulations for Laser devices class 2

 By the installation, the going into operation and the application, it is necessary to take into consideration the valid rule EN 60825-1. Do not stare into the beam!

Safety informations

The equipment is not used for the prevention of accidents. In worst case of disturbance, the output can show any state. The mounting, wiring, application and maintenance must be realized in accordance with the relevant rules and prescriptions. It is necessary to take into consideration the relevant international and national regulations.

The sensors are conform to the following standards: EN 60079-0:2012 + A11:2013, EN 60079-15:2012, IEC/EN 60079-28:2007, EN 60079-31:2011, EN 60529:2014, EN 60950-1:2006; EN 61000-4-2 to EN 61000-4-6, EN 61000-6-1/-2, EN 61000-6-4, ATEX directive 2014/34/EU, Machine directive 2006/42/EC, EMC directive 2014/30/EU, RoHS directive 2011/65/EU.

General Notes, disposal

We reserve the right to modify our equipment. Our equipment is designed such way, that it has the least possible adverse effect on the environment. It neither emit or contain any damaging or siliconized substances and use a minimum of energy and resources. No longer usable or irreparable units must be disposed of in accordance with the local waste disposal regulations.

EU-Declaration of conformity

ATEX explosion protection: II 3G Ex nA op is IIB T4 Gc, II 3D Ex tc op is IIIA T135°C Dc IP67. Declaration by manufacturer according to the ATEX directive 2014/34/EU and for Ex op is test report No. BVS PP 10-2233 EG, DEKRA EXAM GmbH, notified body, Carl-Beyling-Haus, Dinendahlstrasse 9, D-44809 Bochum, Identification number: 0158. ATEX certification of quality management system, type production of Ex devices, in accordance to the ATEX directive 2014/34/EU, CE 0158. Certification No. BVS 15 ATEX ZQS/E 118, QAR No. DE/BVS/QAR13.0004/01. Mr. Hans Bracher, Matrix Elektronik AG, is authorized to generation of documentation. The conformity of the devices with the EC standards and directives and the observation of the quality management system ISO 9001:2008 with the ATEX module „Production“, declares:

Hans Bracher, Matrix Elektronik AG

Tippkemper - Matrix GmbH
Meegener Str. 43 D-51491 Overath
Tel.: +49 2206 9566-0 Fax -19
info@tippkemper-matrix.com

Matrix Elektronik AG (Manufacturer)
Kirchweg 24 CH-5420 Ehrendingen
Tel.: +41 56 20400-20 Fax -29
info@matrix-elektronik.com