

## Operating manual: LDH-AAG-FCB-TF-S336 Laser distance sensor



II 2(1)G

IECEx BVS 14.0108X

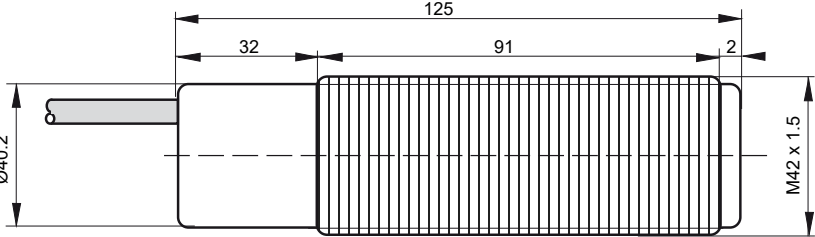
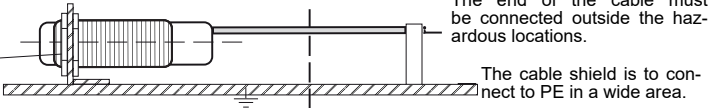


Ex db [op is Ga] IIA T3 Gb

- ATEX and IECEx certified
- For use in Ex Zones (0), 1, 2
- Measurement range analog output: 0.05m to 30m
- Measurement range digital output: 0.05m to 30m
- High measurement accuracy
- Analog output signal 4mA to 20mA and serial data interface RS-485
- Easy alignment through visible red light laser
- Stainless steel 1.4404 housing
- With built-in heating element to prevent lens fogging

Technical Data	Type	LDH-AAG-FCB-TF-S336																										
Gas Ex protection designation		II 2(1)G Ex db [op is Ga] IIA T3 Gb																										
For use in Ex Zones		Zones (0), 1, 2																										
Measurement methods		Time-of-flight measuring																										
Light Source		Laser Class 2, in accordance with EN 60825-1																										
Maximum optical radiant intensity		<=1mW, wave length: 650nm																										
Response time		minimum 0.1s, maximum 4.5s																										
Pollution degree		4																										
Device designation according to EN 60947-5-1/2		T3A42SS1																										
Supply voltage, Ue		+24VDC ±10%																										
Absolute maximum supply voltage, Um		30VDC																										
Current consumption		200mA																										
Maximum power dissipation		6W																										
Typical measuring accuracy		±3.0 mm @ 2σ																										
Typical measuring repeatability		±0.8 mm @ 2σ																										
Analog current output, type		PNP, 4mA to 20mA, short circuit protected																										
Analog current outputs, operating range		0.05m to 30m (0.05m = 4mA, 30m = 20mA)																										
Analog current output, error indication		3.5mA: Measurement invalid 20.5mA: Object out of measurement range																										
Analog current output, resolution		1mm = 0,0005mA																										
Analog current output, load range		500R <= R <sub>L</sub> <= 1000R																										
Serial interface, type		RS 485, Format: 9600 baud, 8 data bits, 1 stop bit, Parity none, Handshaking none																										
Serial interface, range		0.05m to 30m																										
Serial interface, resolution		1mm																										
Power up delay time		500ms																										
Housing		M42, Material: Stainless steel 1.4404																										
Enclosure rating		IP67																										
Ambient working temperature range, T <sub>amb</sub>		-10°C up to 35°C <sup>1</sup> / -10°C up to +50°C <sup>2</sup>																										
Housing temperature range, T <sub>case</sub>		-10°C up to +50°C																										
Storage temperature range		-20°C up to +70°C																										
Relative humidity		15% ... 80%																										
Laser lifetime		Appr. 30'000h, typically, at a housing temperature of +20°C. During continuous operation.																										
Connection cable		Length: 50m, PUR jacket, 6+PE x 0.5mm <sup>2</sup> , shielded, non-halogen, leads numbering marked, good chemical resistance, drag chain suitable <sup>3</sup>																										
Accessories		<table border="0" style="width: 100%;"> <tr> <td style="width: 50%;"><b>Included</b></td> <td style="width: 50%;"><b>Optional</b></td> </tr> <tr> <td>• 2x nuts M42</td> <td></td> </tr> </table>	<b>Included</b>	<b>Optional</b>	• 2x nuts M42																							
<b>Included</b>	<b>Optional</b>																											
• 2x nuts M42																												
Notes		<sup>1</sup> The sensor can be operated continuously. <sup>2</sup> The sensor must be operated in pulse mode, e.g.: 15s measurement, 45s pause. <sup>3</sup> The maximum cable length of L <sub>max</sub> = 100m from sensor to control cabinet must not be exceeded.																										
EX related markings		<table border="0" style="width: 100%;"> <tr> <td style="width: 50%;">                     CE 1258                      Typ: LDH-AAG-FCB-TF-S336                      Gas: ⚡ II 2(1)G Ex db [op is Ga] IIA T3 Gb                      ATEX:                      IECEx:                      Tamb:                      Manufacturing date:                 </td> <td style="width: 50%;">                     Manufacturer with Address                      Electrical data according to table                      BVS 10 ATEX E 130 X                      IECEx BVS 14.0108X                      -10°C up to 35°C                      Number 5 to 8 of the Serial Number (Year / CW)                 </td> </tr> </table>	CE 1258 Typ: LDH-AAG-FCB-TF-S336 Gas: ⚡ II 2(1)G Ex db [op is Ga] IIA T3 Gb ATEX: IECEx: Tamb: Manufacturing date:	Manufacturer with Address Electrical data according to table BVS 10 ATEX E 130 X IECEx BVS 14.0108X -10°C up to 35°C Number 5 to 8 of the Serial Number (Year / CW)																								
CE 1258 Typ: LDH-AAG-FCB-TF-S336 Gas: ⚡ II 2(1)G Ex db [op is Ga] IIA T3 Gb ATEX: IECEx: Tamb: Manufacturing date:	Manufacturer with Address Electrical data according to table BVS 10 ATEX E 130 X IECEx BVS 14.0108X -10°C up to 35°C Number 5 to 8 of the Serial Number (Year / CW)																											
Electrical connection		<table border="0" style="width: 100%;"> <tr> <td style="width: 30%;"><b>Wire number</b></td> <td style="width: 30%;"><b>Function</b></td> <td style="width: 40%;"></td> </tr> <tr> <td>1</td> <td>+24VDC ±10%</td> <td></td> </tr> <tr> <td>2</td> <td>0V</td> <td></td> </tr> <tr> <td>3</td> <td>NC</td> <td></td> </tr> <tr> <td>4</td> <td>Current output: PNP, 4mA to 20mA</td> <td></td> </tr> <tr> <td>5</td> <td>RS 485 - Y</td> <td rowspan="2">RS 485 Transceiver</td> </tr> <tr> <td>6</td> <td>RS 485 - Z</td> </tr> <tr> <td>yellow-green</td> <td>PE</td> <td></td> </tr> <tr> <td>white</td> <td>Cable shield</td> <td>Cable shield, connect to PE</td> </tr> </table>	<b>Wire number</b>	<b>Function</b>		1	+24VDC ±10%		2	0V		3	NC		4	Current output: PNP, 4mA to 20mA		5	RS 485 - Y	RS 485 Transceiver	6	RS 485 - Z	yellow-green	PE		white	Cable shield	Cable shield, connect to PE
<b>Wire number</b>	<b>Function</b>																											
1	+24VDC ±10%																											
2	0V																											
3	NC																											
4	Current output: PNP, 4mA to 20mA																											
5	RS 485 - Y	RS 485 Transceiver																										
6	RS 485 - Z																											
yellow-green	PE																											
white	Cable shield	Cable shield, connect to PE																										

LDH-AAG-FCB-TF-S336\_e8/2025-03-27/MP

Dimensions	
Safe equipotential bonding for Ex devices	 <p>Ensure local equipotential bonding by means of a corrosion-resistant PE connection.</p> <p>The end of the cable must be connected outside the hazardous locations.</p> <p>The cable shield is to connect to PE in a wide area.</p>

### Operating Manual / EC-/EU-declaration of conformity

#### Intended Use

The distance sensor type LDH-AAG-FCB-TF-S336 is designed to measure distances within potentially explosive atmospheres. It must be installed and operated in accordance to this operating manual.

#### Installation prescriptions for Ex hazardous locations

It is necessary to take into consideration the valid international and national rules and regulations (EN 60079-14). The local potential equalization must be connected with the PA-connector using a reliable and noncorrosive connection. The PE/PA connector is permanently attached to the enclosure. The absolute maximum supply voltage  $U_m = 30VDC$  must not be exceeded. No external parts are allowed for focusing or reshaping of the emitted laser beam, except for original parts. The cable must be protected against damaging. The end of the cable must either be installed within a certificated Ex housing or must be installed outside of any Ex area.

Type LDH-AAG-FCB-TF-S336: Allowed to be installed and operated within Ex zones 1 and 2. The limited optical radiation can operate into hazardous locations zones 0.

#### General Installation Prescriptions

Do not exceed the maximum ratings. The electrical connections must be exactly as shown in the connection diagram. The cable shield must be connected short. The cable shield must be connected to the protection earth, large-surfaced. Connection cables must not be installed parallel to high voltage cables. The cable shield is to connect at PE.

#### Function

The sensor uses the time of flight measurement principle. The travel time of an emitted pulse of light is measured, whereby the pulse travels from the sensor to the measured object and back. The relation between distance and travel time is given by the speed of light. This measurement principle requires the measured object to reflect a part of the incident radiation towards the source. The acquired measurement result is available at the analog current output and the RS 485 interface in parallel. As soon as the sensor is connected to 24V, the sensor starts to emit light with a clocking of ON:15s / OFF:45s. With this set clocking, the life of the laser diode is extended up to approx. 120000 hours.

#### Lens heater

The sensors of the LDx-xxx-xxB/H-xx type have a built-in heater on the lens. This avoids, due to temperature changes and high humidity, the fogging on the glass window. The heater regulates itself automatically and at a temperature below 25°C it switches on.

#### Analog current output

Output current 4mA to 20mA:	Valid measurement result
Output current 3.5mA:	No valid measurement could be achieved
Output current 20.5mA:	No object could be detected within range

#### Serial interface

The RS 485 serial interface presents the measurement results, in the range from 0.05m to 30m, in a digital format. The interface is configured to , 8 data bits, 1 stop bit, no parity and no handshaking. Each result is presented as human readable ASCII string containing the measured distance in millimeters followed by carriage return and line feed characters (CR+LF).

For the start and stop of measurement data stream, commands must be sent to the sensor. The data output is started with the "Ausgab" command followed by CR (carriage return). The "AusStp" command followed by CR (carriage return) stops data output.

#### Maintenance and durability

The sensor is maintenance-free. The measurement window must be cleaned carefully if soiled. Never use aggressive cleaning agents. Equipment must only be repaired or serviced by the manufacturer. The laser flashes in continuous measuring mode.

#### Safety regulations for Laser devices class 2

Throughout the installation, the going into operation and the application, it is necessary to take into consideration the valid rule EN 60825-1. Do not stare into the beam!

#### General safety informations

The equipment is not used for the prevention of accidents. In worst case of disturbance, the output can show any state. The mounting, wiring, application and maintenance must be realized in accordance with the relevant rules and prescriptions. It is necessary to take into consideration the relevant international and national regulations.

#### General notes, disposal

We reserve the right to modify our equipment. Our equipment is designed such way, that it has the least possible adverse effect on the environment. It neither emit or contain any damaging or siliconized substances and use a minimum of energy and resources. No longer usable or irreparable units must be disposed of in accordance with the local waste disposal regulations.

#### EU-Declaration of Conformity

The product meets the requirements of the following standards and directives: IEC 60079-0:2017, EN IEC 60079-0:2018, IEC/EN 60079-1:2014, IEC/EN 60079-28:2015, EN 60529:2014, EN 60950-1:2006, EN 61000-4-2 to EN 61000-4-6, EN 61000-6-1/-2, EN 61000-6-4, ATEX directive 2014/34/EU, Machine directive 2006/42/EC, EMC directive 2014/30/EU, RoHS directive 2011/65/EU

#### ATEX/IECEx-Designation:

Gas: II 2(1)G Ex db [op is Ga] IIA T3 Gb

ATEX EU-type examination certificate No.: BVS 10 ATEX E 130 X

IECEx CoC No.: BVS 14.0108X

Ex CB IECEx: DEKRA Testing and Certification GmbH, Carl-Beyling-Haus, Dinendahlstrasse 9, D-44809 Bochum.

ATEX certification of quality management system, type production of Ex devices, in accordance to the directive 2014/34/EU:

Certification No.: SEV 21 ATEX 4580, QAR No.: CH/SEV/QAR21.0009, CB: Eurofins Electric & Electronic Product Testing AG, Luppenstrasse 3, CH-8320 Fehraltorf CE 1258 Ident. Number: 1258

Pablo Ledergerber, Matrix Elektronik AG, is authorized to generation of documentation.

The conformity of the devices with all used standards, directives and EC-type examination certificates and the observation of the Quality Management System ISO 9001:2015, declares:

Ehrendingen, 27.3.2025

Pablo Ledergerber, Matrix Elektronik AG