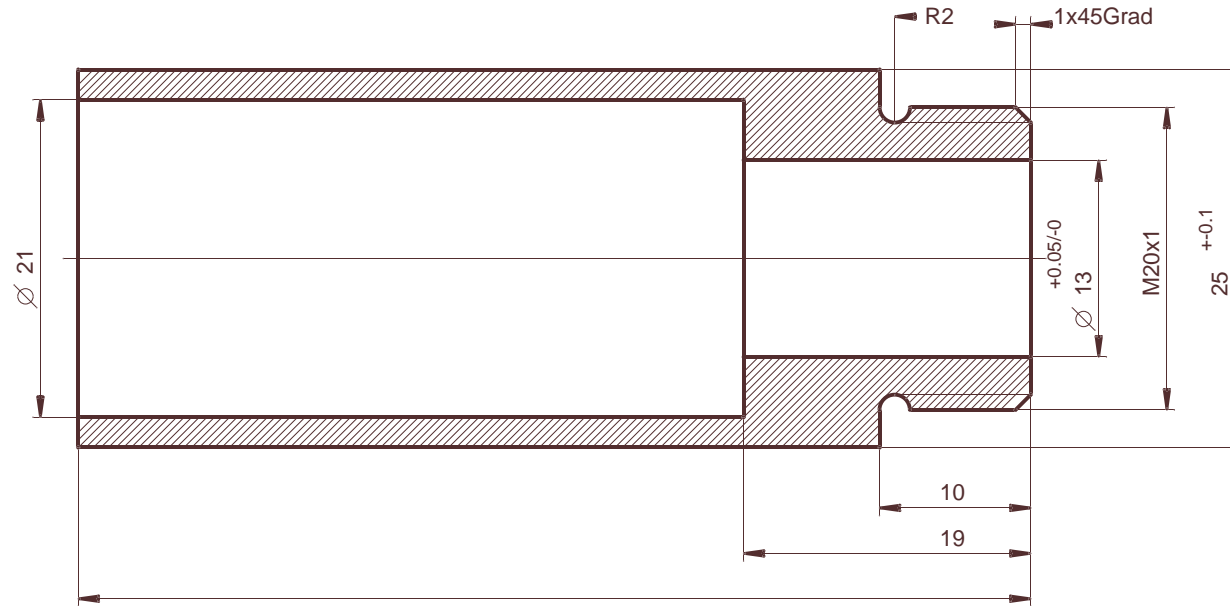
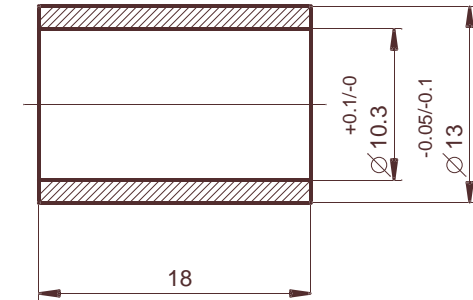


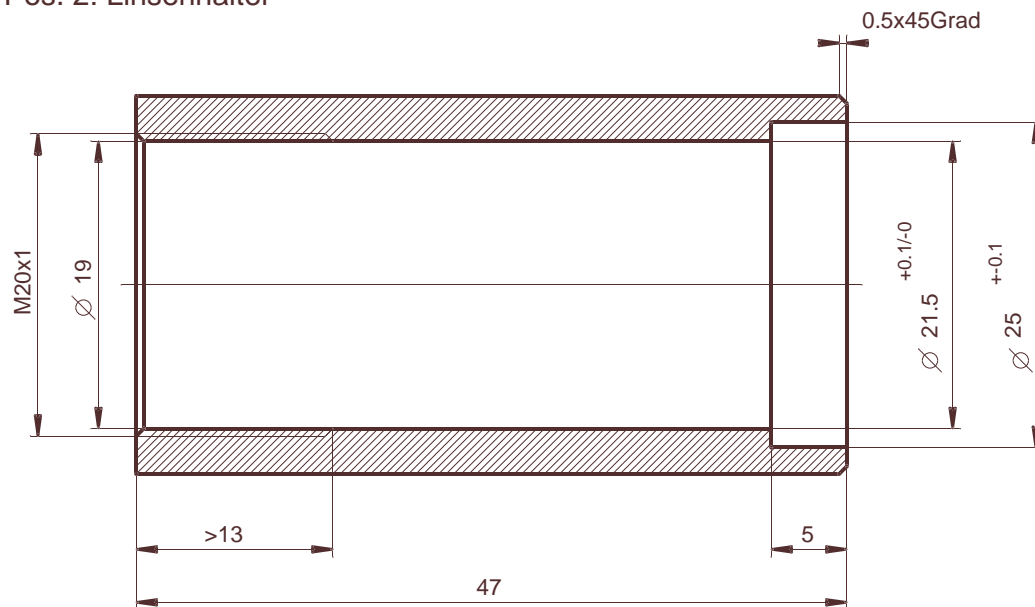
Pos. 1: Endhuese Handstueck



Pos. 3: LWL Huelse



Pos. 2: Linsenhalter



Matrix Elektronik AG CH-5420 Ehrendingen Hans Bracher		RELEASED BY:	
		Dev.	QI
M = 2 : 1		DAT: MAY28,08 Sign: HB	DAT: MAY28,08 Sign: HB
NOTES: All parts without burr Perfection: N7	Mat: Edelstahl V2A	Aenderung 2A: #=Masseaenderungen 28.05.08	
Tolerances: +0,1/-0,1 mm			
Typ: VA-xxxx-10-OP20-EXL-1GD			
Linse D=21mm/f:32mm		No: VA-OP_2A	
Date: MAY28,2008	SHEET 1 of 1	REPLACE: VA-OP_1A(APR.10,2008)	